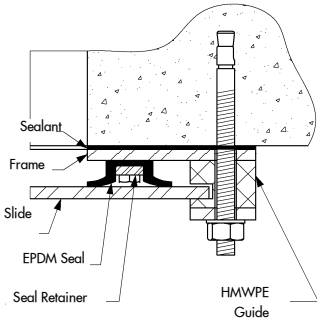
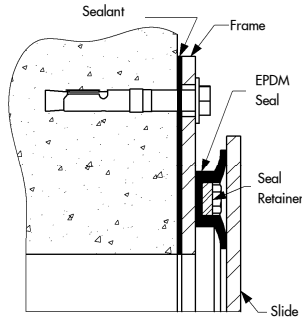


Seal Design: sizes 150 mm x 150 mm to 1200 mm x 1200 mm

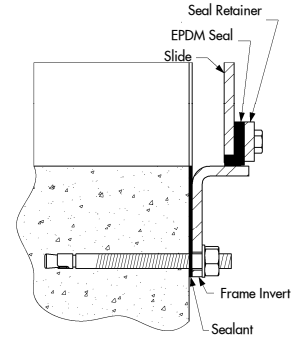
SIDE SEAL



TOP SEAL



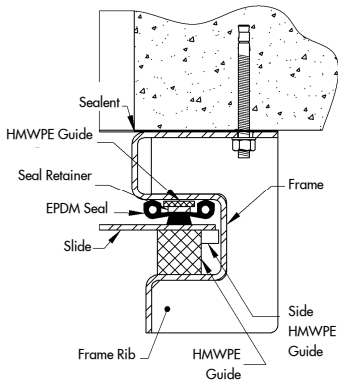
BOTTOM SEAL



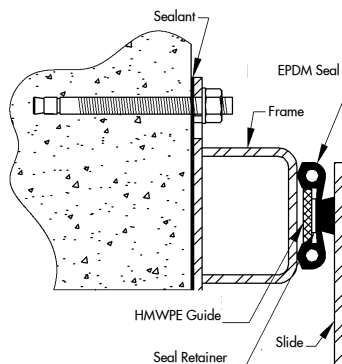
BI-DIRECTIONAL

Seal Design: sizes 1300 mm x 1300 mm to 4000 mm x 4000 mm

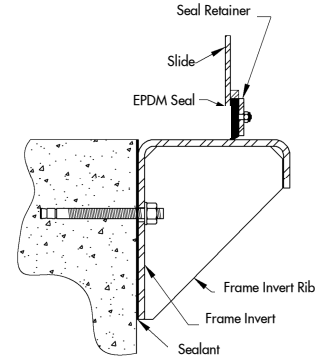
SIDE SEAL



TOP SEAL



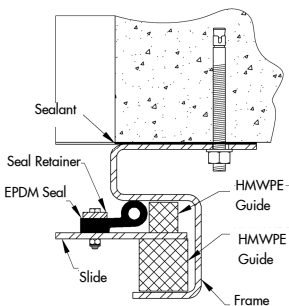
BOTTOM SEAL



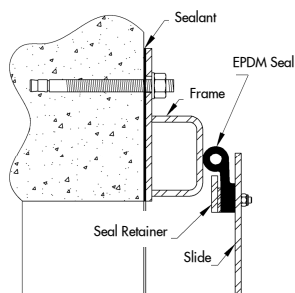
UNI-DIRECTIONAL

Seal Design: sizes 1300 mm x 1300 mm to 4000 mm x 4000 mm

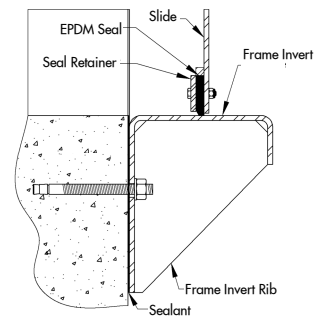
SIDE SEAL



TOP SEAL

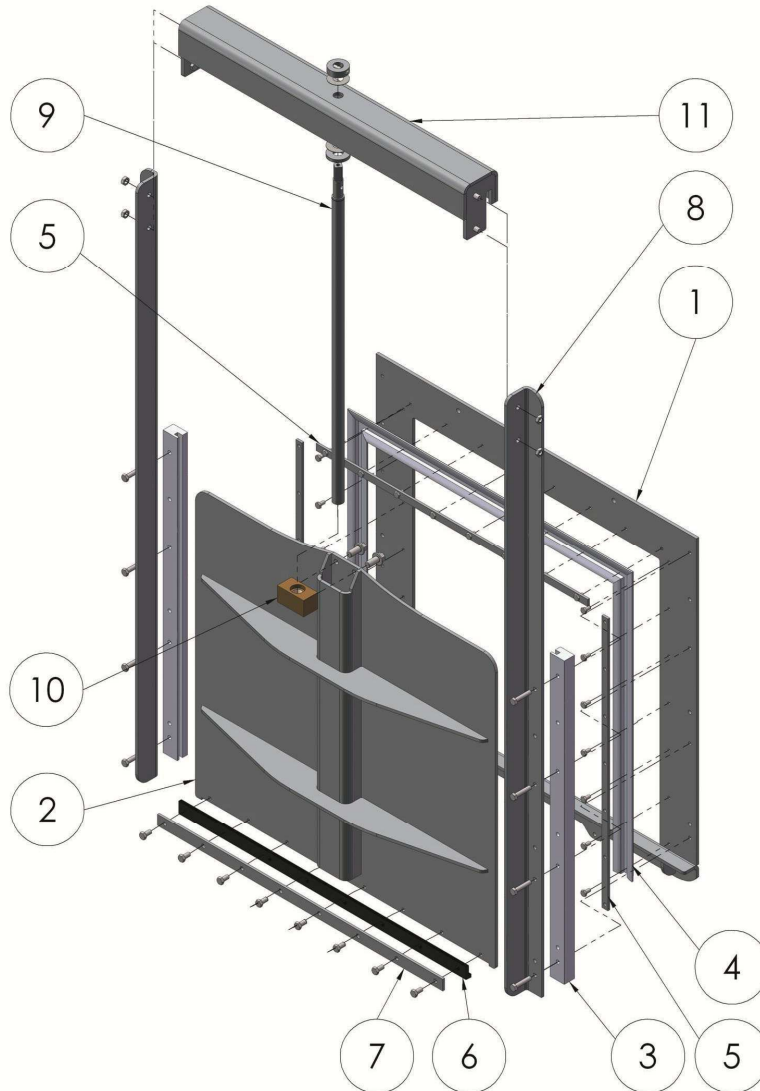


BOTTOM SEAL



STANDARD MATERIALS OF CONSTRUCTION

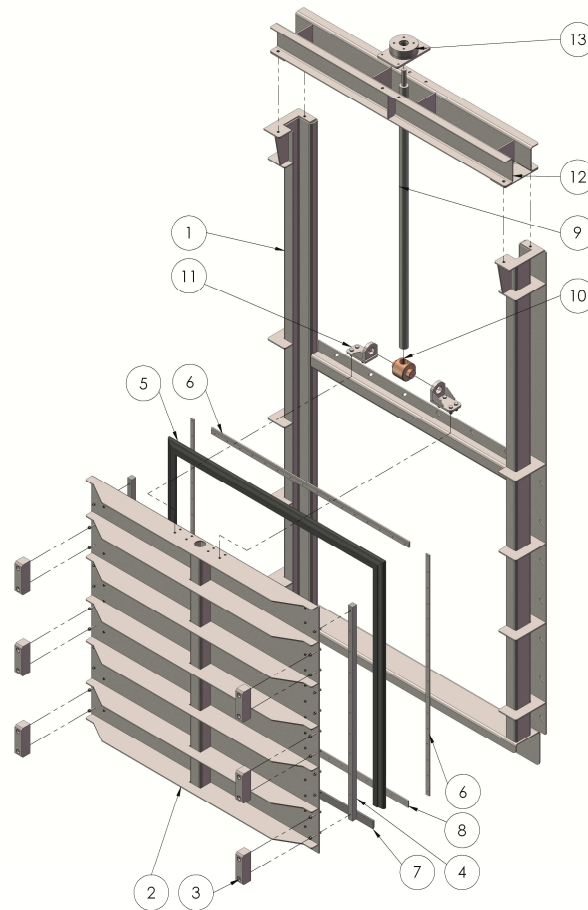
From 150 mm x 150 mm to 1200 mm x 1200 mm



ITEM	DESCRIPTION	MATERIAL (standard)
1	Frame	Stainless Steel Type 304L or 316L (1.4306 or 1.4404)
2	Slide	Stainless Steel Type 304L or 316L (1.4306 or 1.4404)
3	Guides	High Molecular Weight Polyethylene (HMWPE)
4	Seal	EPDM
5	Seal Retainer	Stainless Steel Type 304L or 316L (1.4306 or 1.4404)
6	Bottom Seal	EPDM
7	Bottom Seal Retainer	Stainless Steel Type 304L or 316L (1.4306 or 1.4404)
8	Frame Guide	Stainless Steel Type 304L or 316L (1.4306 or 1.4404)
9	Stem	Stainless Steel
10	Stem Nut	Bronze
11	Yoke	Stainless Steel Type 304L or 316L (1.4306 or 1.4404)

NOTE: For materials other than the above, please consult an ORBINOX representative

From 1300 mm x 1300 mm to 4000 mm x 4000 mm

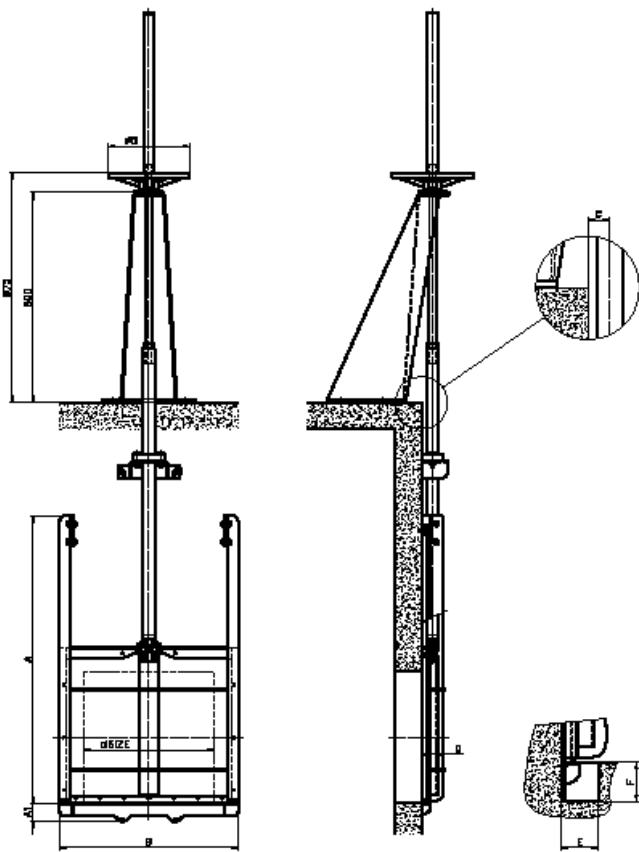


ITEM	DESCRIPTION	MATERIAL (standard)
1	Frame	Stainless Steel Type 304L or 316L (1.4306 or 1.4404)
2	Slide	Stainless Steel Type 304L or 316L (1.4306 or 1.4404)
3	Front Guides	High Molecular Weight Polyethylene (HMWPE)
4	Guides	High Molecular Weight Polyethylene (HMWPE)
5	Seal	EPDM
6	Seal Retainer	Stainless Steel Type 304L or 316L (1.4306 or 1.4404)
7	Bottom Seal	EPDM
8	Bottom Seal Retainer	Stainless Steel Type 304L or 316L (1.4306 or 1.4404)
9	Stem	Stainless Steel
10	Stem Nut	Bronze
11	Stem Nut Bracket	Stainless Steel Type 304L or 316L (1.4306 or 1.4404)
12	Yoke	Stainless Steel Type 304L or 316L (1.4306 or 1.4404)
13	Stem Coupling	Stainless Steel Type 304L or 316L (1.4306 or 1.4404)

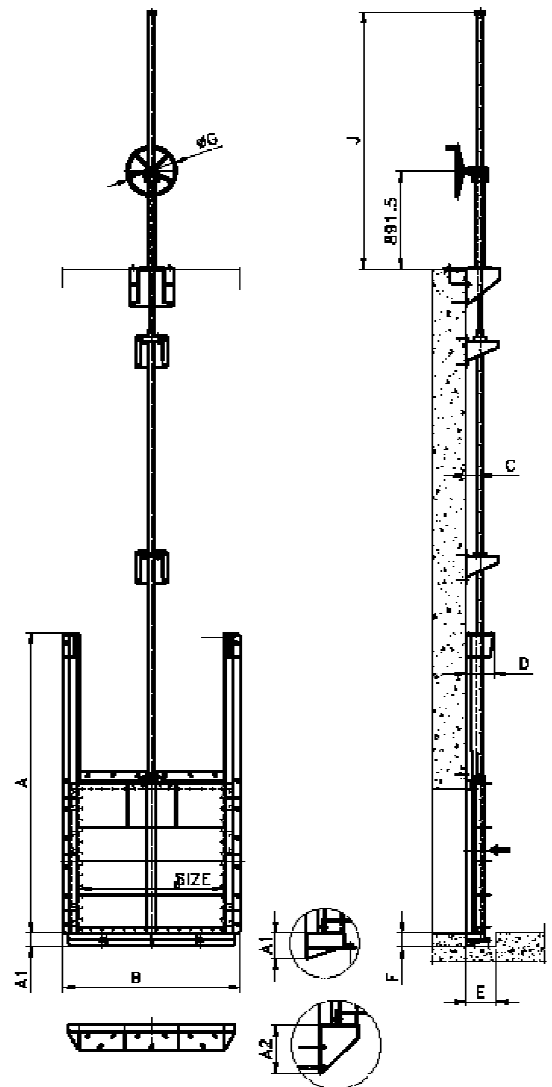
NOTE: For materials other than the above, please consult an ORBINOX representative

STANDARD RANGE

From 150 mm x 150 mm to 1200 mm x 1200 mm

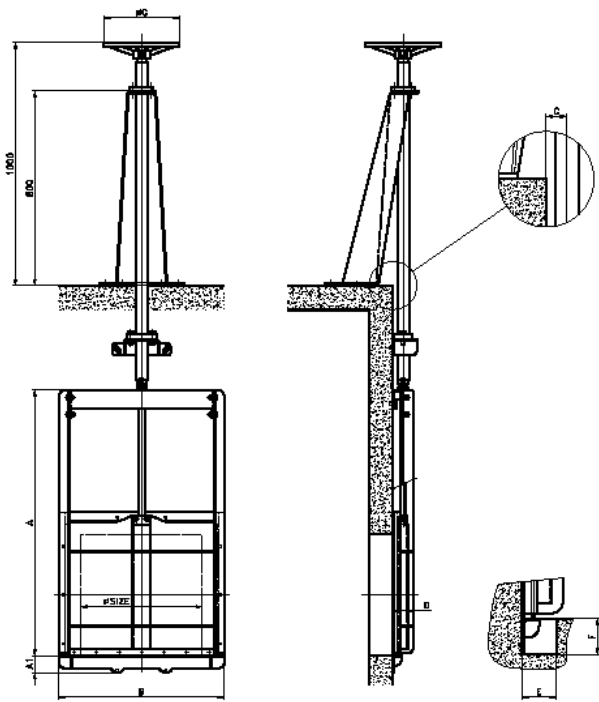


From 1300 mm x 1300 mm to 4000 mm x 4000 mm



STANDARD RANGE

From 150 mm x 150 mm to 1200 mm x 1200 mm



From 1300 mm x 1300 mm to 4000 mm x 4000 mm

