

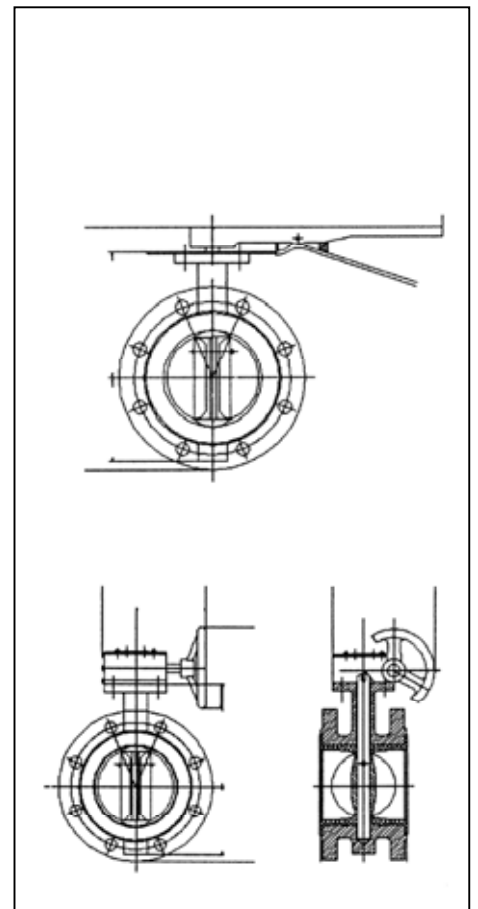
## Double Flanged Butterfly Valve to BS5155 / EN593 Concentric Type

### Specification:

CONCENTRIC TYPE FLANGED TO BS 4504 PN10/PN16  
 FACE-TO-FACE DIMENSION TO ISO 5752/ BS 5155 (DOUBLE FLANGE  
 SHORT BODY) EN593/EN558-1 BASIC SERIES 13 (DOUBLE FLANGE SHORT  
 BODY)/API609  
 LEVER/WORM GEAR OPERATOR

### Working pressure:

**Working Pressure:** 16 Bar  
**Test Pressure:** Shell 24Bar      Seat 17.6Bar  
**Working Temp:** -20°C to 110°C      EPDM Seat  
 -10°C to 80°C      NBR Seat



MATERIALS OF CONSTRUCTION		
Description	Material	EN Spec.
Body	Cast Iron Ductile Iron	Gr. 220 Gr. 420/12
Disc	Ductile Iron Aluminum Bronze Stainless Steel 304 Stainless Steel 316	Gr.420/12 1400 AB2 304 C15 316 C16
Seat Ring	EPDM NBR Viton	
Shaft	Stainless Steel 410 Stainless Steel 431 Stainless Steel 316	410 S21 431 S29 316 S16
Taper Pins	Stainless Steel 316	316 S16
Key	Carbon Steel	
O-Ring	NBR	
Bushing	Lubricated Bronze	

Dimensions & Weights										
Siz mm	A mm	B mm	C mm	H mm	L mm	L1 mm	L2 mm	L3 mm	G	Cv 90°
50	110	80	108	303.5	226	173	45	267	150	135
65	134	80	112	337.5	226	173	45	267	150	220
80	131	95	114	342	226	173	45	267	150	302
100	150	114	127	371	226	173	45	267	150	600
125	170	114	140	406	226	173	45	267	150	1022
150	180	139	140	433.5	226	173	45	267	150	1579
200	210	175	152	573	313	239	63	358	302	3136
250	246	203	165	641	313	239	63	358	302	5340
300	276	242	178	695	307	226	80	358	302	8250
350	328	256	190	777	307	226	80	-	302	11917

## Double Flanged Butterfly Valve to BS5155 / EN593 Concentric Type

### Specification:

CONCENTRIC TYPE FLANGED TO BS 4504 PN10/PN16  
 FACE-TO-FACE DIMENSION TO ISO 5752/ BS 5155 (DOUBLE FLANGE  
 SHORT BODY)/ EN593 /EN558-1 BASIC SERIES 13 (DOUBLE FLANGE SHORT  
 BODY)/API609  
 DOUBLE STAGE WORM GEAR OPERATOR

### Working pressure:

**Working Pressure:** 16 Bar (DN400 to 600)  
 10 Bar (DN700 to 1200)

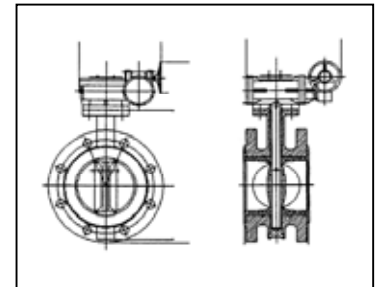
**Test Pressure:** Shell 24Bar Seat 17.6Bar (DN400 to 600)  
 Shell 15 Bar Seat 11 Bar (DN700 to 1200)

**Working Temp:** -20°C to 110°C EPDM Seat  
 -10°C to 80°C NBR Seat

**Suitable Media:** Water, Oil & Gas



Dimensions & Weights										
Size mm	A mm	B Mm	C mm	H mm	L mm	L1 mm	L2 mm	L3 mm	G	Cv 90°
400	376	296	216	957	103	174	104	103	279	16388
450	407	316	222	1007	103	174	104	103	279	21705
500	448	352	229	1085	103	174	104	103	305	27908
600	518	441	267	1246	138	174	130	138	305	43116
700	560	473	292	1415	560	1415	243	173	358	49500
800	620	527	318	1528	620	1529	243	173	358	68250
900	685	581	330	1741	685	1742	278	201	409	86375
1000	735	653	410	1863	735	1864	278	201	409	119750
1200	917	796	470	2240	917	2241	458	310	435	154000



### Note:

1. Actuator mounting flange conforms to ISO 5211 drilling.
2. The butterfly valve can be supplied with electric or pneumatic actuator.
3. Pneumatic actuators are available in spring return or double acting.
4. Micro switch / limit switch box are available upon request.
5. JIS B2239 10K and other flange standards available upon request.
6. If used for Gas application, please consult sales office.
7. Design and specifications are subject to change without prior notice.

# U-Type Butterfly Valve

PN10/PN16/Class125

❖ **Design Standards:**

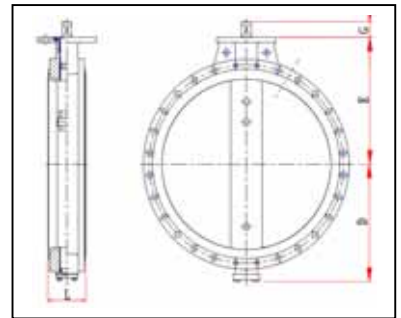
Complies with EN593, MSS SP-67  
Flange Type: EN1092-2 PN16

❖ **Maximum Pressure: 16 bar**

Working Temperature from -15° to 120° (EPDM)

❖ **Materials Specifications**

Part Name	Material	Material Specification
Body	Ductile Iron	ASTM A536 65-45-12 JS1030, EN1563
Shaft	Stainless Steel	AISI 431 EN10088
Disc	Stainless Steel	AISI304/316
	Ductile Iron Epoxy Coated	ASTM A536 65-45-12 JS1030, EN1563
Seat	EPDM/NBR	Commercial
O-Ring	NBR	Commercial



❖ **Dimensions (mm)**

Size	Mm	700	750	800	900	1000	1050	1100	1200	1300	1400	1500	1600	1700
		In	(28)	(30)	(32)	(36)	(40)	(42)	(44)	(48)	(52)	(56)	(60)	(64)
L	mm	165	190	190	203	216	216	235	254	279	279	318	318	337
	in	6-1/2	7-1/2	7-1/2	8	8-1/2	8-1/2	9-1/4	10	11	11	12-1/2	12-1/2	13-1/4
D	mm	480	520	525	635	685	690	820	870	920	980	1037	1096	1140
	in	18-7/8	20-1/2	20-3/4	25	27	27-1/8	32-1/4	34-1/4	36-1/4	38-1/2	40-3/4	43-1/4	44-7/8
E	mm	560	585	610	690	740	740	805	855	955	955	1029	1079	1126
	in	22	23	24	27-1/4	29-1/8	29-1/8	31-3/4	33-5/8	37-1/2	37-5/8	40-1/2	42-1/2	44-3/8
G	mm	60	60	60	90	90	90	85	85	85	85	100	100	120
	in	2-3/8	2-3/8	2-3/8	3-9/16	3-9/16	3-3/8	3-3/8	3-3/8	3-3/8	3-3/8	4	4	4-3/4
ISO 5211		F16	F16	F16	F25	F25 F30	F25	F30	F30 F35	F30 F35	F35	F35	F35 F40	F40

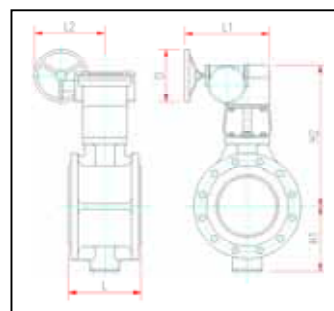
**Notes:**

1. Face to face dimensions to EN558-Series 20.
2. Bolt circles and flange drillings conform to EN1092-2 PN16 other flange types are available.
3. Design, dimensions and material specifications are subject to change without notice.
4. Maximum liquid flow velocity 5 m/s.
5. Specify ISO top flange dimensions on order.

# Rubber Seated Double Eccentric Butterfly Valve

## PN10/PN16/Class125

- ❖ **Valve Standards:** Complies with EN593/BS5155/AWWA C504.
- ❖ **Working Pressure and Temperature**
  - Size 100 to 1000, working pressure is PN16/Class125.
  - Size 100 to 2000, working pressure is PN10.
  - Temperature from -10deg C to 120deg C for EPDM disc trim.
  - Temperature from -10deg C to 82deg C for NBR disc trim.
- ❖ **Top Flange:** Complies with ISO5211/1
- ❖ **Flange Types**
  - EN1092-2 PN10/PN16, ANSI B16.1 Class125
  - BS10 Table D/E, JIS10K/16K
- ❖ **Operator**
  - Gear operator with handwheel.
- ❖ **Materials Specifications**



Part Name	Materials	EN Spec	ASTM Spec
Body	Cast Iron	EN-JL1040	A 126 Class B
Stem	Stainless Steel	BS970 420S37	AISI 420
Disc	Ductile Iron	EN-JS1050	A536 65-45-12
Disc Trim	EPDM/NBR/Viton	Commercial	Commercial
Seat	CI Integral	EN-JL1040	A126 Class B

## ❖ Dimensions (mm)

Size	100	150	200	250	300	350	400	450	500	600	700	800	900	1000	1200	1400	1600	1800	2000
<b>L</b>	190	210	230	250	270	290	310	330	350	390	430	470	510	550	630	710	790	870	950
<b>L1</b>	164	164	268	268	289	289	420	420	460	520	580	580	660	660	713	713	713	1089	1089
<b>L2</b>	136	136	268	268	289	289	435	435	545	545	638	638	716	716	1050	1050	1050	1270	1270
<b>D</b>	180	180	300	300	300	300	300	300	400	400	450	450	500	500	550	550	550	550	550
<b>H1</b>	115	143	233	243	245	253	325	355	368	419	508	560	637	707	955	991	1122	1426	1486
<b>H2</b>	262	287	302	328	399	357	598	629	665	750	816	900	1010	1140	1153	1288	1418	2044	2115